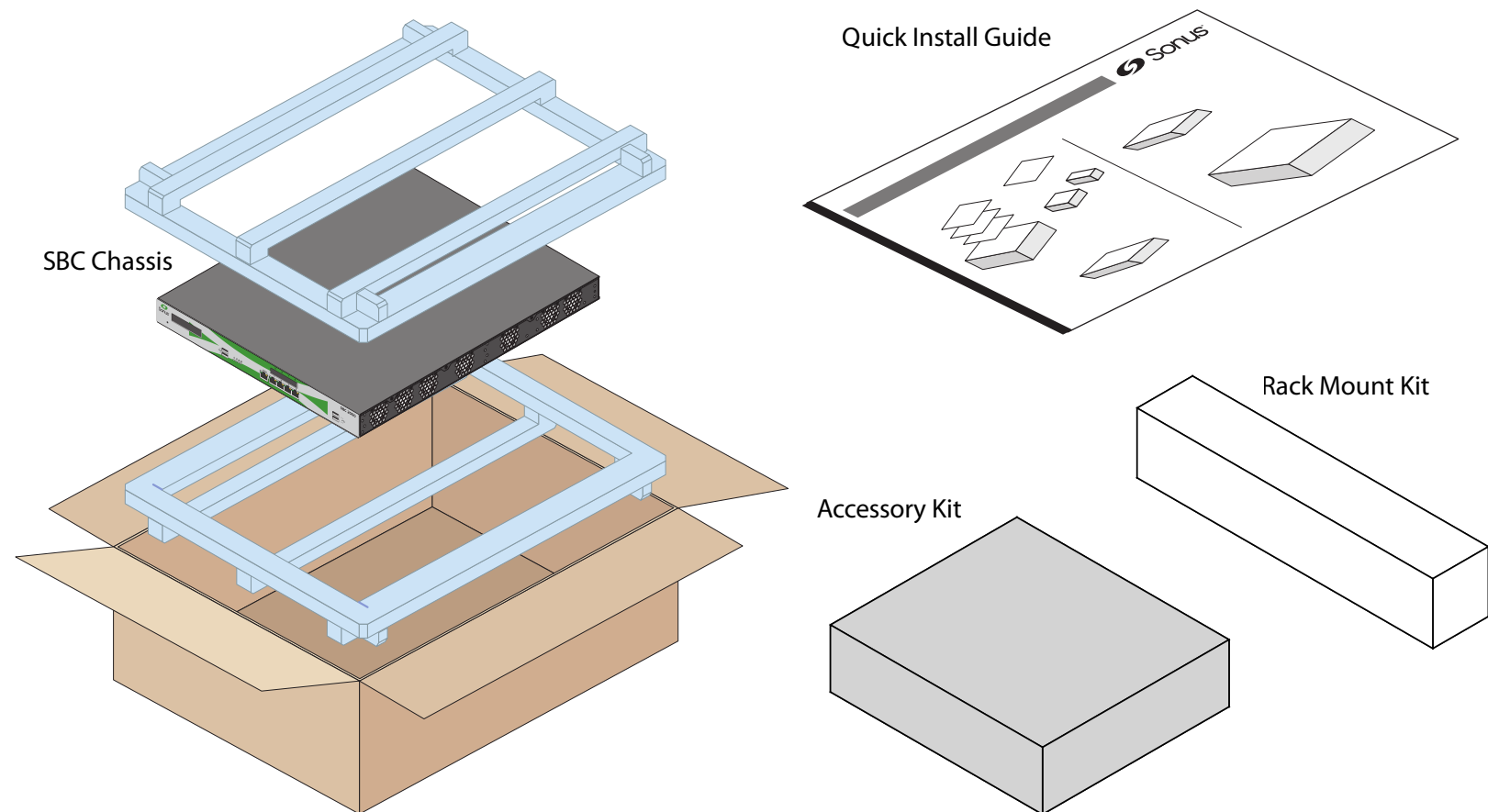


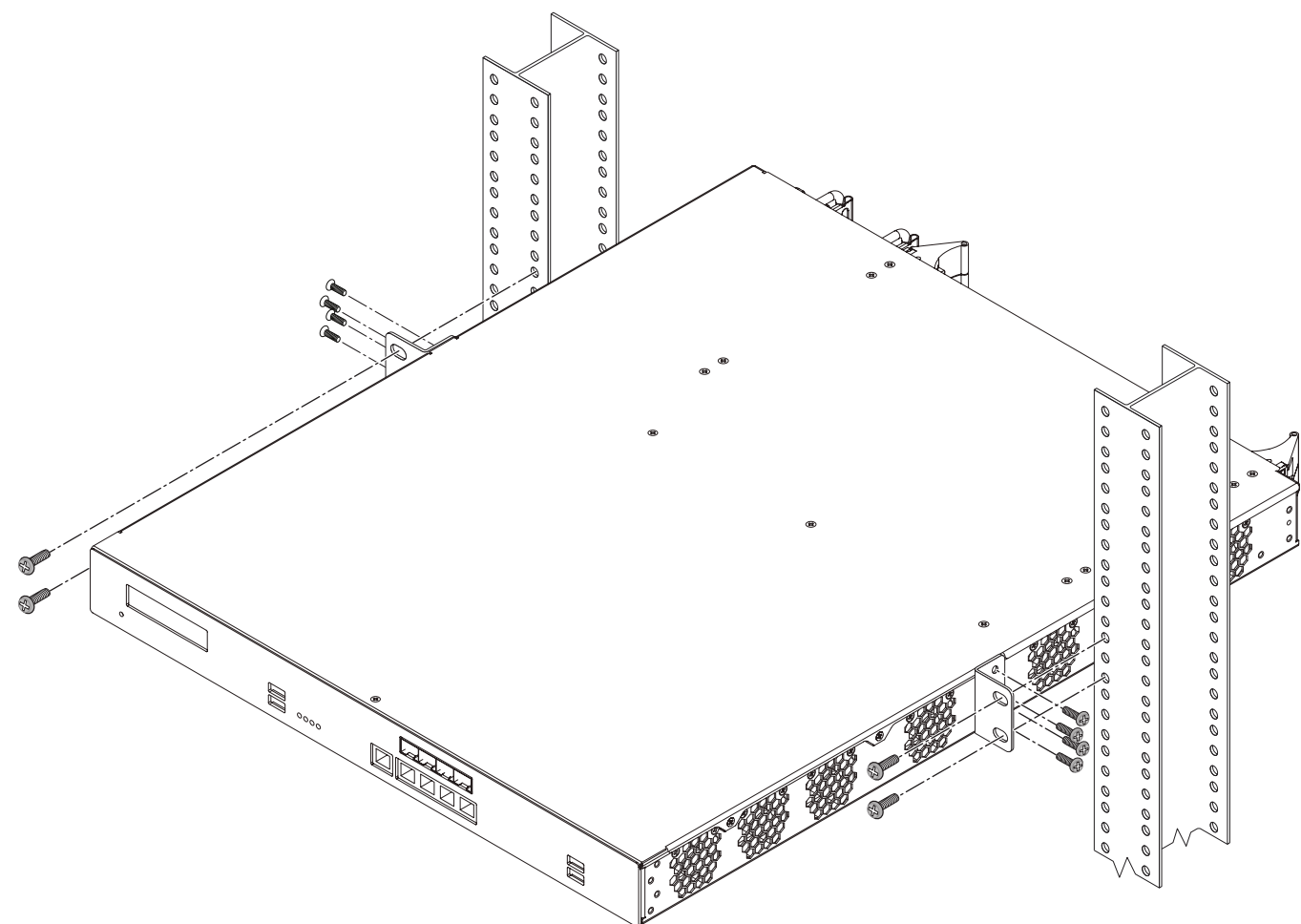
# Installing the Sonus SBC 2000 Chassis



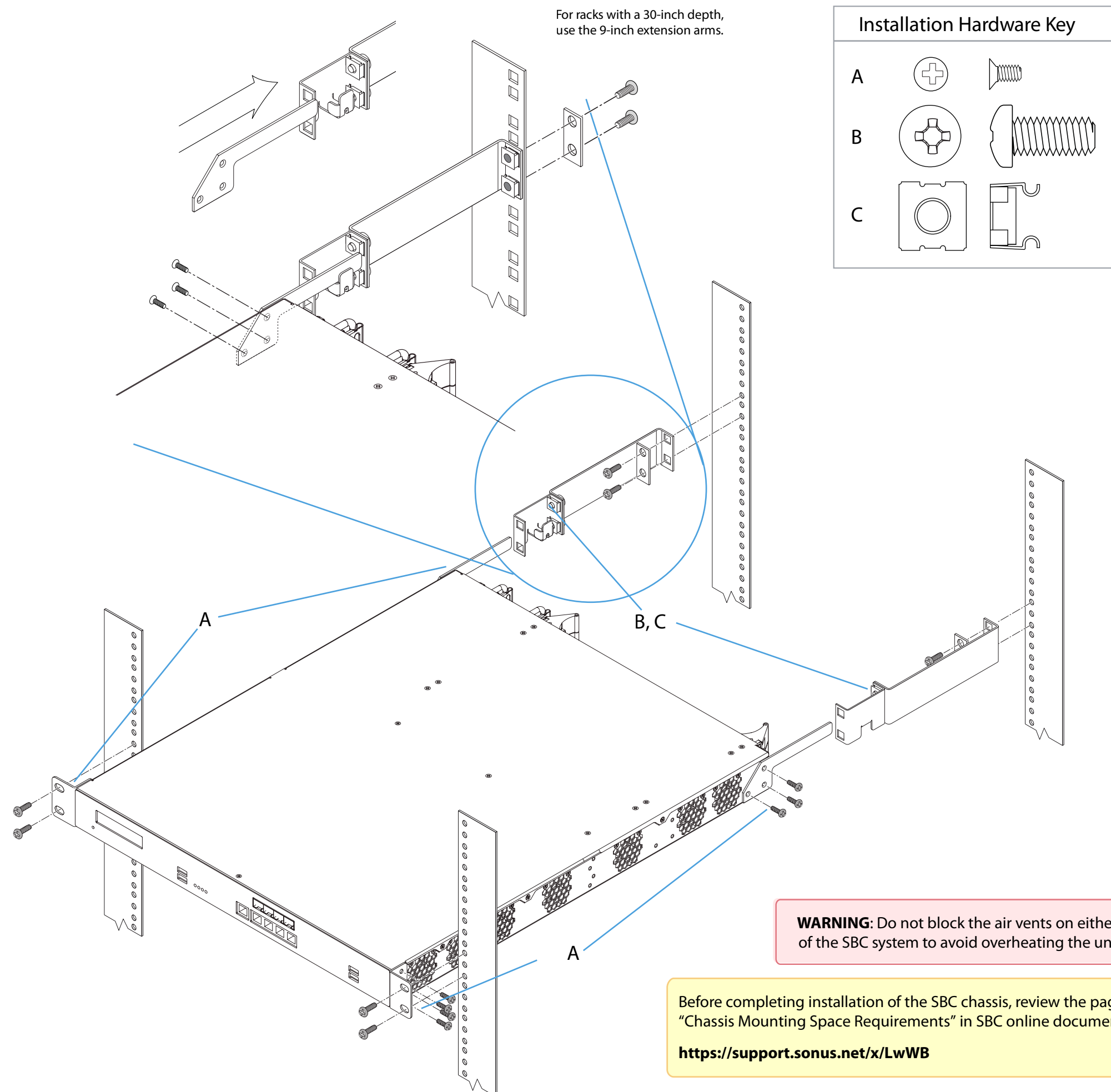
1 Unpack the chassis and verify the contents



2a Install the SBC chassis in a two-post rack



2b Install the SBC chassis in a four-post rack or cabinet



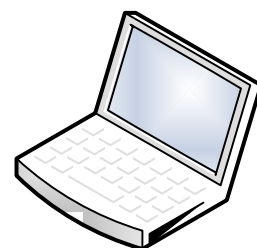
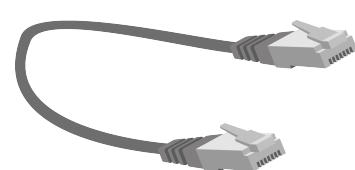
# SBC Initial Configuration

3 Prepare for the initial configuration of the SBC system by gathering the following information:

Value for Your Environment	Configuration Item	Required ?	Description
	SBC IP Address	Yes	The primary IP address (IPv4) for the SBC system, Enter this address in the Application Interface Setup panel in the Initial SBC Setup tab.
	SBC Host Name	Yes	The computer name for the SBC system.
	Internet Domain Name	No	If the SBC system resides on an Internet network domain (such as sonusnet.com), record the domain name.
	Default IP Route Gateway	No	If the SBC system uses a default gateway, record the IP address of the gateway.
	Primary DNS IP Address	No	The IP address of the primary DNS server used to resolve domain names. For SBC deployments with Microsoft Unified Communications, the use of host name addressing is recommended and therefore DNS servers are required.
	Secondary DNS IP Address	No	The IP address of a secondary DNS server, if available.
	Local Admin User Name	Yes	Choose a user name for the local administrative account. This user name is required for logging into the SBC Web User Interface for the first time.
	Local Admin Password	Yes	Choose a strong password for the local administrative account. This password is required for logging into the SBC Web User Interface for the first time.

4 Make sure you have the following items:

- The SBC mounted in the rack.
- An Ethernet cable with an RJ-45 connector on each end.
- A laptop or PC with an available Ethernet port.



5 Configure the SBC using the online initial setup documentation:

Read the instructions in the online documentation before proceeding.

6 Upgrade the SBC using the online upgrade documentation:

Upgrading the SBC to the latest version of the software allows you to take advantage of the latest features and enhancements.

Read the instructions in the online documentation carefully before proceeding.

SBC 1000/2000 online documentation:

<https://support.sonus.net/x/LwWB>

## IMPORTANT!

**Supplementary licenses are no longer pre-installed onto factory-shipped SBCs.**

Please locate the licensing email from your Sonus Purchasing agent for instructions with using the Sonus Self-Service Licensing portal to download and install the supplementary licenses you purchased.