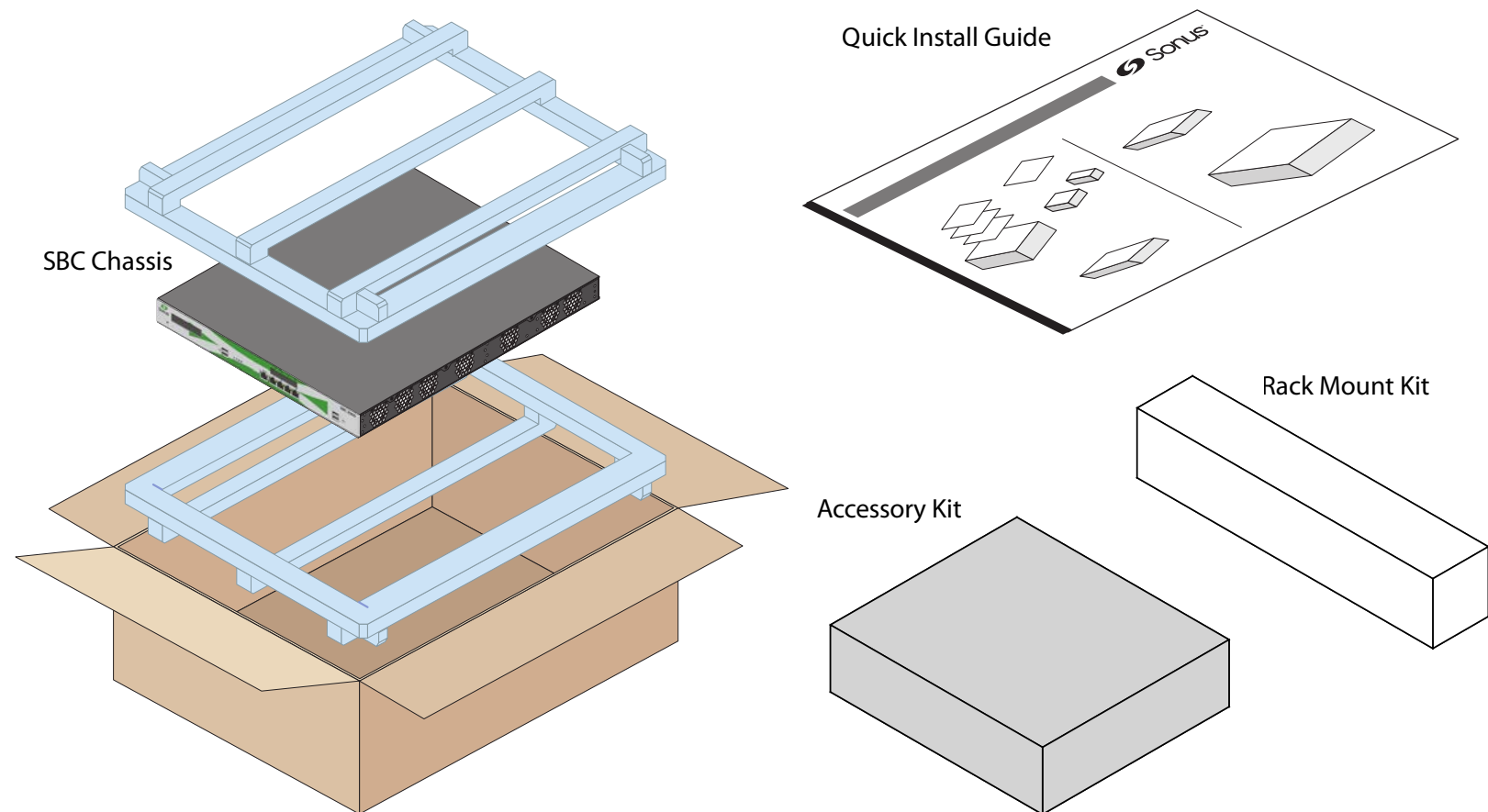


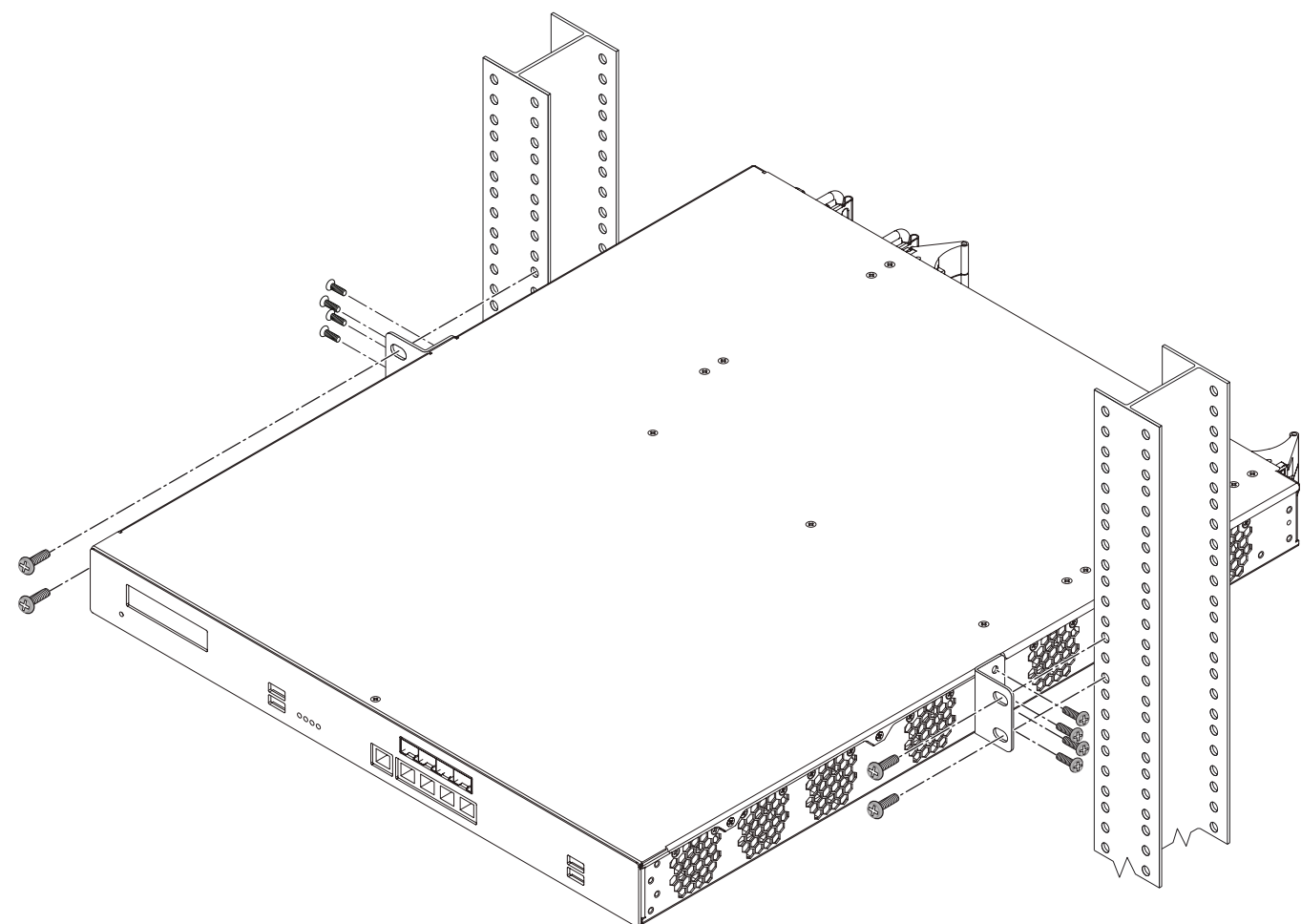
Installing the Sonus SBC 2000 Chassis



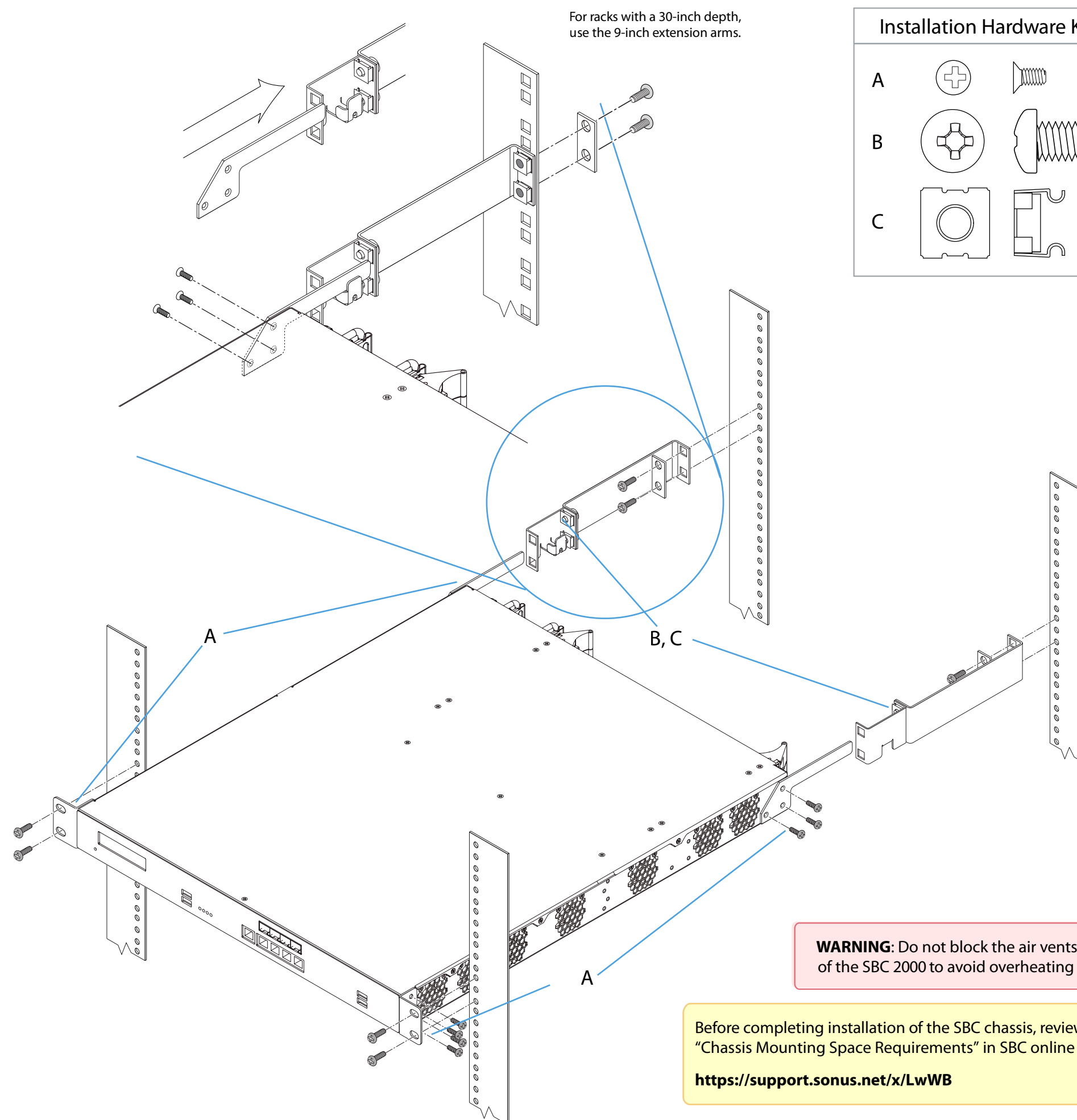
1 Unpack the chassis and verify the contents



2a Install the SBC chassis in a two-post rack



2b Install the SBC chassis in a four-post rack or cabinet



Installation Hardware Key	
A	
B	
C	

WARNING: Do not block the air vents on either side of the SBC 2000 to avoid overheating the unit.

Before completing installation of the SBC chassis, review the page "Chassis Mounting Space Requirements" in SBC online documentation:
<https://support.sonus.net/x/LwWB>

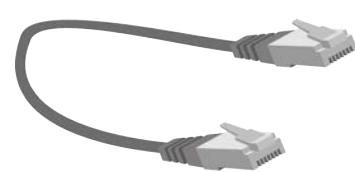
SBC Initial Configuration


3 Prepare for the initial configuration of the SBC 2000 by gathering the following information:

Value For Your Environment (make notes here)	Configuration Item	Required?	Description
	SBC IP Address	Yes	The primary IP Address for the SBC Edge system. Enter this address in the Application Interface Setup panel of the Initial Setup tab.
	SBC Host Name	Yes	The computer name of the SBC Edge system.
	Internet Domain Name	No	If the SBC Edge system resides on an Internet network (such as genericdomain.com), record the domain name here.
	Default IP Route Gateway	No	If the SBC Edge system will use a default gateway, record the IP address of the gateway here.
	Application Solution Module (ASM) IP Address	No	The address used by the ASM. This address must be in the same subnet as the SBC Edge application IP address. <i>The ASM IP configuration items are only visible in the SBC Initial Setup page when an ASM is installed in the SBC Edge.</i>
	Primary DNS IP Address	No	The IP address of the primary DNS server used to resolve domain names. <i>For SBC Edge deployments with Microsoft Unified Communications, use of host name addressing is recommended and therefore DNS servers are required.</i>
	Secondary DNS IP Address	No	The IP address of a secondary DNS server, if available.
	Local Admin User Name	Yes	Choose a user name for the local administrative account. This user name is required for logging into the SBC Edge Web User Interface for the first time.
	Local Admin Password	Yes	Choose a strong password for the local administrative account. This password is required for logging into the SBC Edge Web User Interface for the first time.

4 Make sure you have the following items:

- The SBC 2000 mounted in the rack.
- An Ethernet cable with an RJ-45 connector on each end.
- A laptop or PC with an available Ethernet port.



- From a laptop or PC, login to Sonus support at <https://support.sonus.net>. Click **Product Documentation**, and then from the **Sonus Product Documentation** page select **SBC Edge Documentation** from the **Session Border Controllers** panel.
- From the **SBC 1000-2000 Documentation** page, click the **Online Product Documentation link** for the release associated with the software version installed on your SBC (for example, **Release 7.0.x Documentation** if you installed Version 7.0.3).
- Look for the information note with this symbol:  Follow the link in the note for important instructions about Initial Setup and Install Latest Software/Security Patches.
- After the upgrade, return to **Product Documentation > SBC Edge Documentation** for further instructions for SBC 1000 deployment, and instructions on how to sign up for critical product announcements from Sonus Support.



ALWAYS upgrade the SBC 2000
(and the ASM if installed)

with the latest firmware & security patches after initial setup!

Play it safe! To learn how, check online docs now at
<https://support.sonus.net/display/ALLDOC/SBC+1000-2000+Documentation>